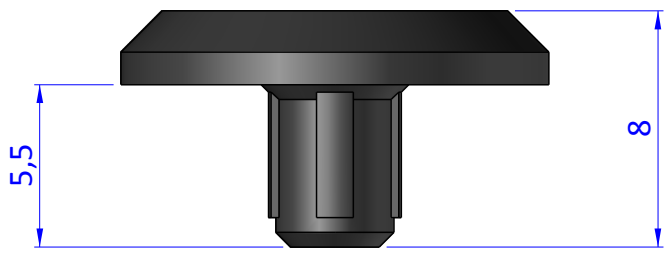
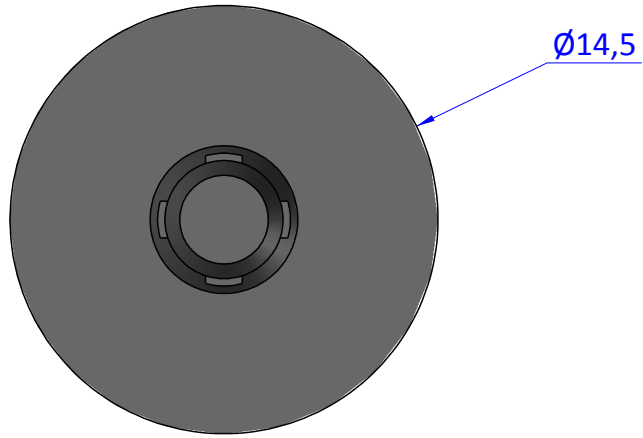
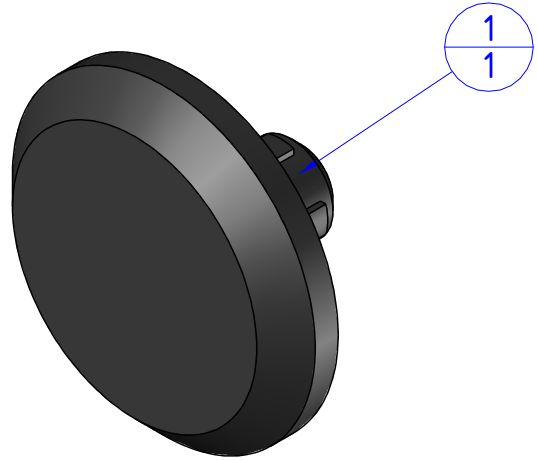

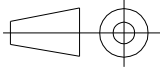


| Item | Name        | Qty. |
|------|-------------|------|
| 1    | PPS.2010.07 | 1    |



THE PROPERTY OF THE DRAWING IS ESTABLISHED BY LAW. IT IS FORBIDDEN TO PRODUCE OR SHOW IT TO THIRD PART. WITHOUT A WRITTEN AGREEMENT.

|                                    |                                                                                                              |  |                                                                                      |                                        |  |                          |
|------------------------------------|--------------------------------------------------------------------------------------------------------------|--|--------------------------------------------------------------------------------------|----------------------------------------|--|--------------------------|
| <b>Format</b> A4<br><br>UNI 936-76 | <br>FPSERVICES AUTOMATION |  |  | DESIGNED FROM<br><b>FPS Automation</b> |  | REVIEW<br><b>A</b>       |
|                                    | GENERAL TOLERANCE<br>UNI - ISO 2768<br>CLASSE f                                                              |  |                                                                                      | DATE<br><b>27/07/2017</b>              |  | WEIGHT<br><b>0,000kg</b> |
|                                    | DESCRIPTION<br><b>PPS.2010.07</b>                                                                            |  |                                                                                      | CODE<br><b>PPS.2010.07</b>             |  |                          |